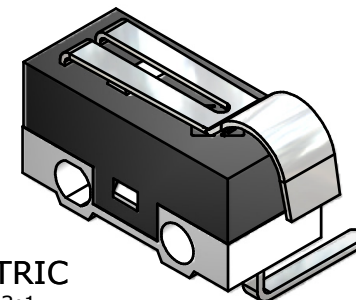
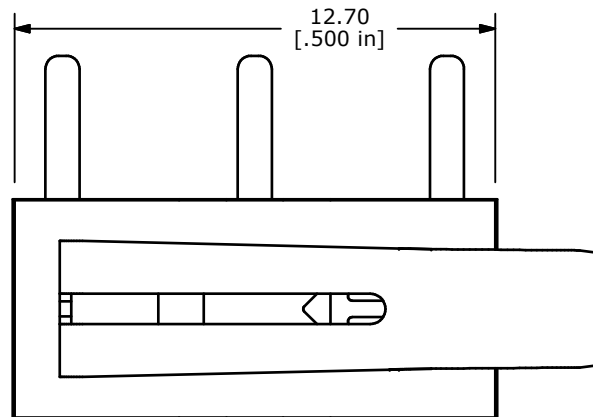
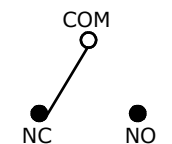


P.C. MOUNTING



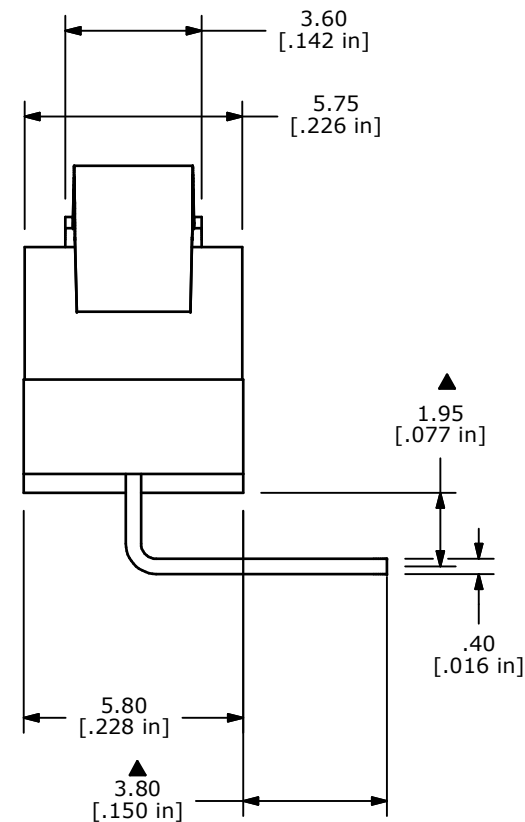
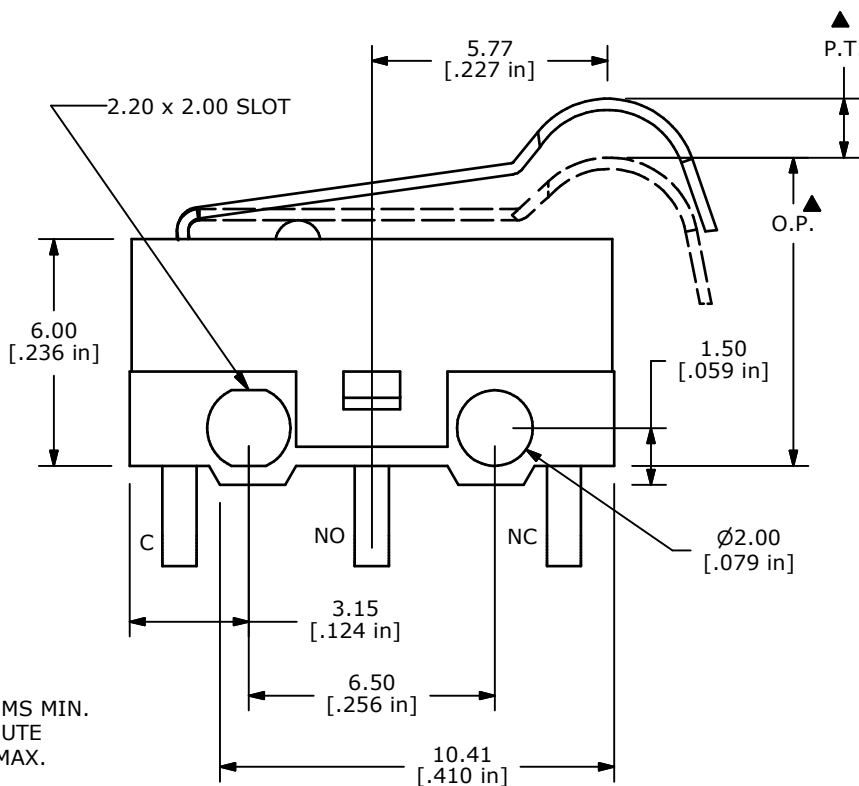
ISOMETRIC
SCALE: 3:1



CIRCUIT: SPDT

O.P. (MM)	P.T. (MM)
9.65 ± 0.8	1.35 MAX.

O.P. = OPERATING POINT
P.T. = PRE-TRAVEL



NOTES:

- ALL DIMENSIONS IN MM [INCH]
- GENERAL TOLERANCE: X.X=±0.4
X.XX=±0.25
- ▲ 3. RATING: 3A @125VAC
1.5A @250VAC UL
- OPERATING FORCE: 20 +10/-5 GRAMS
- OPERATING TEMP: -25°C TO 75°C
- ELECTRICAL LIFE: 10,000 CYCLES MIN.
- INSULATION RESISTANCE: 100 Mega-OHMS MIN.
- DIELECTRIC STRENGTH: 500VAC - 1 MINUTE
- CONTACT RESISTANCE: 100 Milli-OHMS MAX.
- ▲ DENOTES CRITICAL PARAMETER.
- PACKAGED IN TRAYS, 120 PIECES PER TRAY.
- 2002/95/EC (ROHS) COMPLIANT



TITLE SS0750303F020V2A

A	19205	RELEASE FOR PRODUCTION	7/27/10	BLR
REV	PCR NO	DESCRIPTION	DATE	BY

THE INFORMATION CONTAINED IN THIS DOCUMENT IS PROPRIETARY TO E-SWITCH AND IS NOT TO BE COPIED OR TRANSFERRED

SCALE	DATE	DR	DWG	REV
4:1	7/27/2010	BLR	Q971029	A